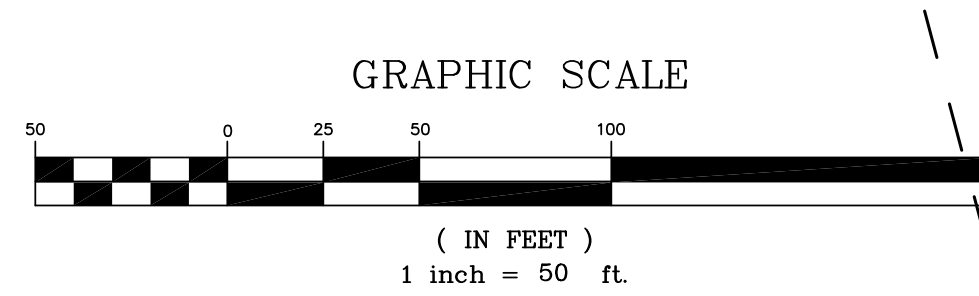


- NOTES:**
- BASE MAPPING PREPARED FROM THE PROPERTY DEED, SCHENECTADY COUNTY TAX MAP, AND GIS DATA.
 - THE PLANS SHOW SOME KNOWN STRUCTURES, ABOVEGROUND STRUCTURES AND/OR UTILITIES BELIEVED TO EXIST WITHIN THE WORKING AREA. EXACT LOCATION OF WHICH MAY VARY FROM THE LOCATIONS INDICATED. IN PARTICULAR, THE CONTRACTOR IS WARNED THAT THE EXACT OR EVEN APPROXIMATE LOCATION OF SUCH PIPE LINES, SUBSURFACE STRUCTURES AND/OR UTILITIES IN THE AREA MAY BE DIFFERENT FROM THAT SHOWN OR MAY NOT BE SHOWN AND IT SHALL BE HIS RESPONSIBILITY TO PROCEED WITH GREAT CARE IN EXECUTING ANY WORK. PROVIDE (48) HOURS BEFORE YOU DIG, DRILL OR BLAST, CALL U.F.P.O. (1-800-962-7962).
 - EXISTING AND PROPOSED GAS, ELECTRIC, AND TELECOMMUNICATIONS SERVICE LAYOUTS ARE SCHEMATIC ONLY. ALL REMOVALS, FINAL LOCATIONS AND INSTALLATION REQUIREMENTS SHALL BE COORDINATED WITH ALL UTILITY COMPANIES.
 - FEDERAL WETLAND AREA "A" WAS DELINEATED IN MAY 2020 BY LABELLA ASSOCIATES. FEDERAL WETLAND AREA "B" IS SHOWN PER THE ORIGINAL SELF STORAGE SITE PLAN APPROVED BY THE TOWN OF GUILDERLAND IN 2012.

ZONING:		
I - INDUSTRIAL		
4773 WESTERN TPK.	REQUIRED	PROVIDED
LOT AREA:	30,000 SF MIN.	432,609 SF± (9.93± AC)
LOT WIDTH:	100' MIN.	575'±
LOT DEPTH:	180' MIN.	220'
BLDG. HEIGHT:	45'/3 STORIES	25'±/1 STORY
LOT COVERAGE:	70% MAX.	21.9%
SETBACKS:		
FRONT:	45' MIN.	40.5'
SIDE:	25' MIN.*	103.0' & 25.0'
REAR:	25' MIN.*	137.4'
	* 100' MIN. TO RESIDENTIAL	

COVERAGE STATS:	EXISTING	PROPOSED
BUILDINGS:	45,345 SF 10.5%	94,725 SF 21.9%
PAVEMENT:	58,945 SF 13.6%	109,569 SF 25.3%
GREEN SPACE:	328,319 SF 75.9%	228,315 SF 52.8%
TOTAL	432,609 SF (9.93 AC)	100%

PARKING REQUIREMENTS:	
INDOOR SELF STORAGE (94,725± SF GFA)	0.15 SPACES PER 1,000 SF GFA 94,725 X 0.15 = 15 SPACES
TOTAL REQUIRED = 15 SPACES	
9 SPACES PROVIDED*	
*WAIVER REQUESTED	



OWNER/APPLICANT:
 RICK RAMSEY
 RJR UNITS LLC
 4773 WESTERN TURNPIKE
 GUILDERLAND, NY 12009

4773 WESTERN TURNPIKE
 TAX MAP #: 26.00-3-36.1
 AREA = 9.93± ACRES

NO.	REVISION	BY	DATE
3.	BUILDING CHANGES	DK	11.16.20
2.	TOWN COMMENTS/ADD BUILDING	DK	11.5.20
1.	TOWN COMMENTS	JEH	7.28.20

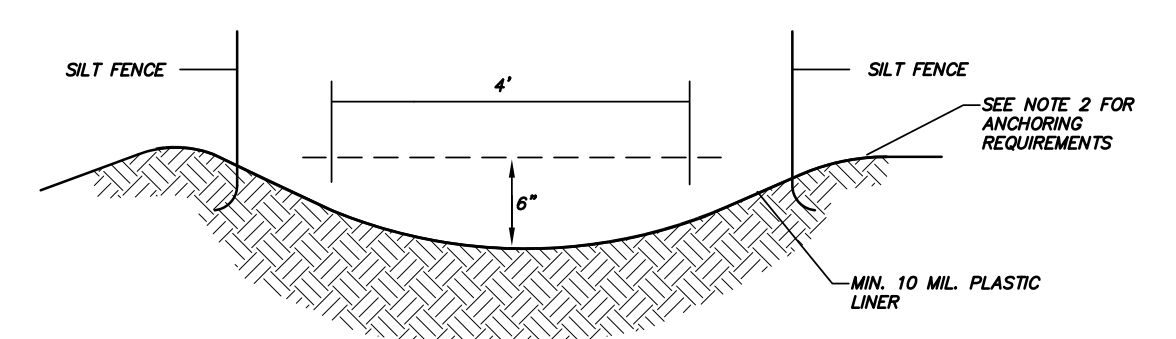
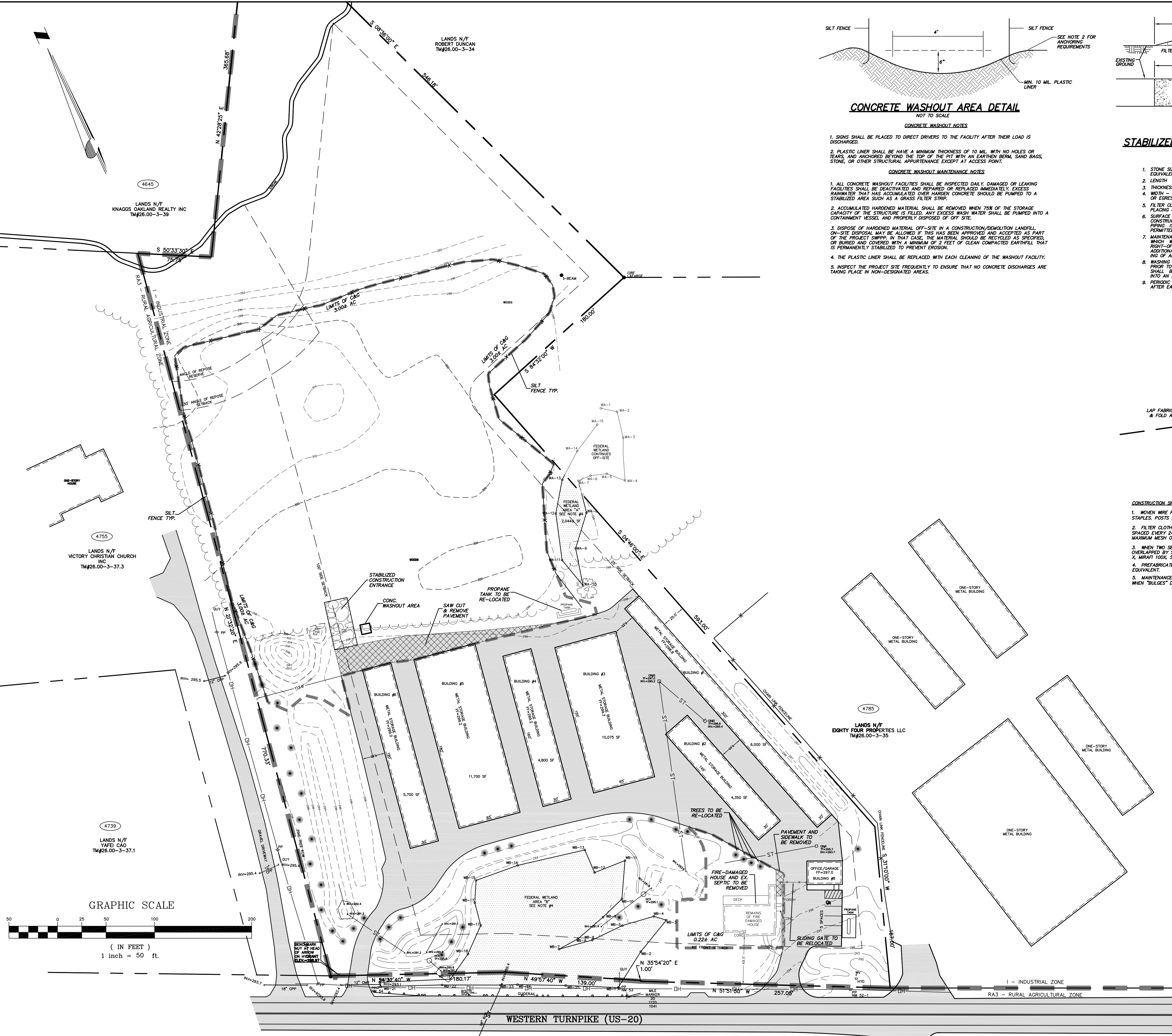


SITE PLAN
A-METRO SELF STORAGE
 4773 WESTERN TURNPIKE

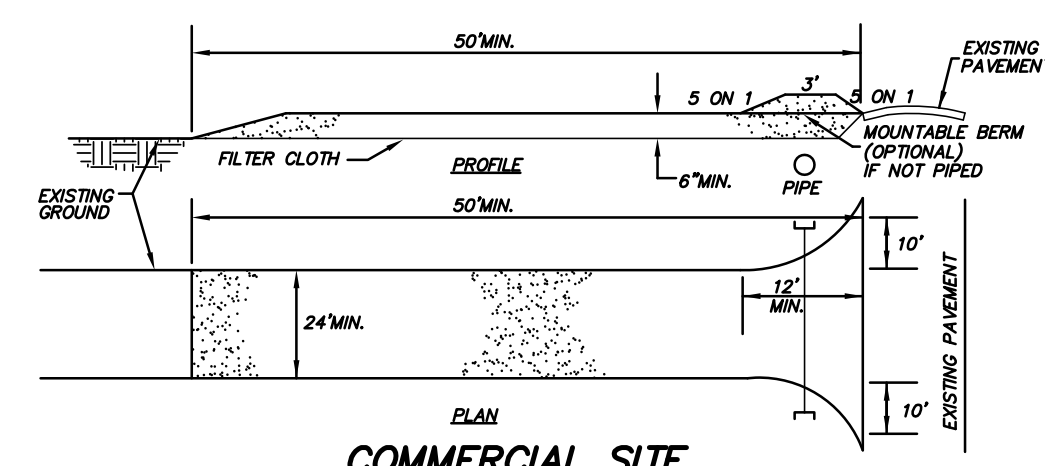
TOWN OF GUILDERLAND COUNTY OF ALBANY
 STATE OF NEW YORK

ABD ENGINEERS, LLP
 411 Union Street
 Schenectady, NY 12305
 518-377-0315 Fax 518-377-0379
 www.abdeng.com

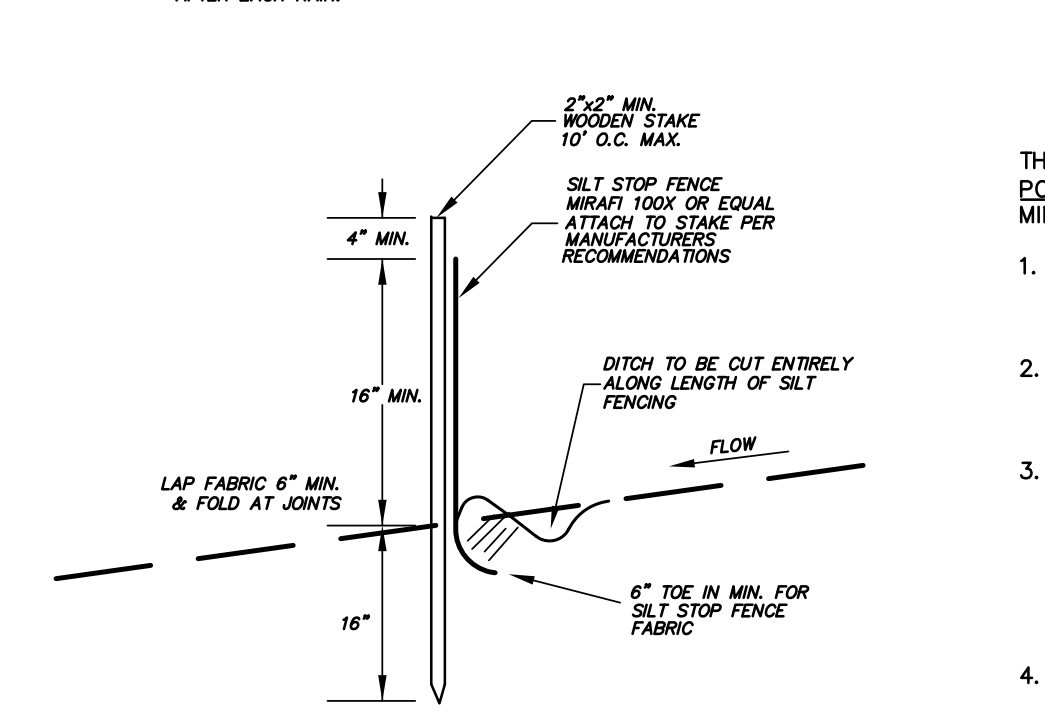
DATE: MAY 26, 2020 SCALE: 1" = 50' DWG. 4281B-S8 SHEET OF 1 2



- CONCRETE WASHOUT NOTES**
1. SIGNS SHALL BE PLACED TO DIRECT DRIVERS TO THE FACILITY AFTER THEIR LOAD IS DISCHARGED.
 2. PLASTIC LINER SHALL BE HAVE A MINIMUM THICKNESS OF 10 ML WITH NO HOLES OR TEARS, AND ANCHORED BEYOND THE TOP OF THE PIT WITH AN EARTHEN BERM, SAND BAGS, STONE, OR OTHER STRUCTURAL APPURTENANCE EXCEPT AT ACCESS POINT.
- CONCRETE WASHOUT MAINTENANCE NOTES**
1. ALL CONCRETE WASHOUT FACILITIES SHALL BE INSPECTED DAILY. DAMAGED OR LEAKING FACILITIES SHALL BE DEACTIVATED AND REPAIRED OR REPLACED IMMEDIATELY. EXCESS RAINWATER THAT HAS ACCUMULATED OVER HARDEN CONCRETE SHOULD BE PUMPED TO A STABILIZED AREA SUCH AS A GRASS FILTER STRIP.
 2. ACCUMULATED HARDENED MATERIAL SHALL BE REMOVED WHEN 75% OF THE STORAGE CAPACITY OF THE STRUCTURE IS FILLED. ANY EXCESS WASH WATER SHALL BE PUMPED INTO A CONTAINMENT VESSEL AND PROPERLY DISPOSED OF OFF-SITE.
 3. DISPOSE OF HARDENED MATERIAL OFF-SITE IN A CONSTRUCTION/DEMOLITION LANDFILL. ON-SITE DISPOSAL MAY BE ALLOWED IF THIS HAS BEEN APPROVED AND ACCEPTED AS PART OF THE PROJECT SWPPP. IN THAT CASE, THE MATERIAL SHOULD BE RECYCLED AS SPECIFIED, OR BURIED AND COVERED WITH A MINIMUM OF 2 FEET OF CLEAN COMPACTED EARTH/LL THAT IS PERMANENTLY STABILIZED TO PREVENT EROSION.
 4. THE PLASTIC LINER SHALL BE REPLACED WITH EACH CLEANING OF THE WASHOUT FACILITY.
 5. INSPECT THE PROJECT SITE FREQUENTLY TO ENSURE THAT NO CONCRETE DISCHARGES ARE TAKING PLACE IN NON-DESIGNATED AREAS.



- CONSTRUCTION SPECIFICATIONS**
1. STONE SIZE - USE 1"-4" STONE, OR RECLAIMED OR RECYCLED CONCRETE EQUIVALENT.
 2. LENGTH - AS REQUIRED, BUT NOT LESS THAN 30 FEET
 3. THICKNESS - NOT LESS THAN SIX (6) INCHES.
 4. WIDTH - NOT LESS THAN THE FULL DRIVEWAY WIDTH AT POINTS WHERE INGRESS OR EGRESS OCCURS. 24" MINIMUM IF SINGLE ENTRANCE TO SITE.
 5. FILTER CLOTH - WILL BE PLACED OVER THE ENTIRE AREA PRIOR TO PLACING OF STONE.
 6. SURFACE WATER - ALL SURFACE WATER FLOWING OR DIVERTED TOWARD CONSTRUCTION ENTRANCES SHALL BE PIPED ACROSS THE ENTRANCE. IF PIPING IS IMPRACTICAL, A MOUNTABLE BERM WITH 5:1 SLOPES WILL BE PERMITTED.
 7. MAINTENANCE - THE ENTRANCE SHALL BE MAINTAINED IN A CONDITION WHICH WILL PREVENT TRACKING OR FLOWING OF SEDIMENT ONTO PUBLIC RIGHT-OF-WAYS. THIS MAY REQUIRE PERIODIC TOP DRESSING WITH ADDITIONAL STONE AS CONDITIONS DEMAND, AND REPAIR AND/OR CLEANING OF ANY MEASURES USED TO TRAP SEDIMENT.
 8. WASHING - WHEELS SHALL BE CLEANED WHEN NECESSARY TO REMOVE SEDIMENT PRIOR TO ENTRANCE ONTO PUBLIC RIGHT-OF-WAY. WHEN WASHING IS REQUIRED, IT SHALL BE DONE ON AN AREA STABILIZED WITH STONE AND WHICH DRAINS INTO AN APPROVED SEDIMENT TRAPPING DEVICE.
 9. PERIODIC INSPECTION AND NEEDED MAINTENANCE SHALL BE PROVIDED AFTER EACH RAIN.



- CONSTRUCTION SPECIFICATIONS**
1. WOVEN WIRE FENCE TO BE FASTENED SECURELY TO FENCE POSTS WITH WIRE TIES OR STAPLES. POSTS SHALL BE STEEL EITHER "T" OR "U" TYPE OR HARDWOOD.
 2. FILTER CLOTH TO BE FASTENED SECURELY TO WOVEN WIRE FENCE WITH TIES SPACED EVERY 24" AT TOP AND MID SECTION. FENCE SHALL BE WOVEN WIRE, 6" MAXIMUM MESH OPENING.
 3. WHEN TWO SECTIONS OF FILTER CLOTH ADJOIN EACH OTHER THEY SHALL BE OVERLAPPED BY SIX INCHES AND FOLDED. FILTER CLOTH SHALL BE EITHER FILTER #1 MIRAFIX 1000, STABILINK 1140K, OR APPROVED EQUIVALENT.
 4. PREFABRICATED UNITS SHALL BE GEOTAB, ENVIROFENCE, OR APPROVED EQUIVALENT.
 5. MAINTENANCE SHALL BE PERFORMED AS NEEDED AND MATERIAL REMOVED WHEN "BULGES" DEVELOP IN THE SILT FENCE.

- NOTES:**
1. BASE MAPPING PREPARED FROM THE PROPERTY DEED, SCHENECTADY COUNTY TAX MAP, AND GIS DATA.
 2. THE PLANS SHOW SOME KNOWN STRUCTURES, ABOVEGROUND STRUCTURES AND/OR UTILITIES BELIEVED TO EXIST WITHIN THE WORKING AREA. EXACT LOCATION OF WHICH MAY VARY FROM THE LOCATIONS INDICATED. IN PARTICULAR, THE CONTRACTOR IS WARNED THAT THE EXACT OR EVEN APPROXIMATE LOCATION OF SUCH PIPE LINES, SUBSURFACE STRUCTURES AND/OR UTILITIES IN THE AREA MAY BE DIFFERENT FROM THAT SHOWN OR MAY NOT BE SHOWN AND IT SHALL BE HIS RESPONSIBILITY TO PROCEED WITH GREAT CARE IN EXECUTING ANY WORK. PROVIDE (48) HOURS BEFORE YOU DIG, DRILL OR BLAST, CALL U.F.P.O. (1-800-962-7962).
 3. EXISTING AND PROPOSED GAS, ELECTRIC, AND TELECOMMUNICATIONS SERVICE LAYOUTS ARE SCHEMATIC ONLY. ALL REMOVALS, FINAL LOCATIONS AND INSTALLATION REQUIREMENTS SHALL BE COORDINATED WITH ALL UTILITY COMPANIES.
 4. FEDERAL WETLAND AREA "A" WAS DELINEATED IN MAY 2020 BY LABELLA ASSOCIATES. FEDERAL WETLAND AREA "B" IS SHOWN PER THE ORIGINAL SELF-STORAGE SITE PLAN APPROVED BY THE TOWN OF GUILDERLAND IN 2012.

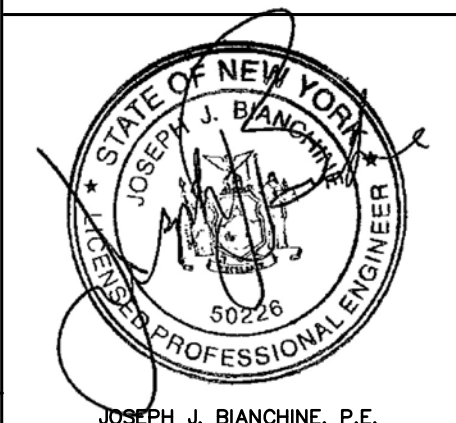
THE OWNER AND CONTRACTOR SHALL COMPLY WITH THE BASIC STORMWATER POLLUTION PREVENTION PLAN (SWPPP) PREPARED FOR THIS PROJECT AND AS A MINIMUM IMPLEMENT THE FOLLOWING EROSION AND SEDIMENT CONTROL MEASURES:

1. CONSTRUCTION AND MAINTENANCE OF EROSION AND SEDIMENT CONTROL MEASURES IN ACCORDANCE WITH THE NEW YORK STATE STANDARDS AND SPECIFICATIONS FOR EROSION AND SEDIMENT CONTROL.
2. INSTALLATION OF EROSION AND SEDIMENT CONTROL MEASURES AS SHOWN ON THE PLANS OR DETAILS AND AS NEEDED DURING THE GENERAL COURSE OF WORK.
3. SOIL EROSION WILL OCCUR AFTER EVERY RAINFALL UNTIL TURF IS ESTABLISHED. IT SHALL BE THE CONTRACTORS RESPONSIBILITY TO REPAIR EROSION AFTER EVERY RAINFALL. FAILURE TO REPAIR MINOR EROSION WILL RESULT IN MAJOR EROSION AND POSSIBLY PAVEMENT AND STRUCTURE FAILURE. PRIOR TO SITE DISTURBANCE, EROSION AND SEDIMENT CONTROL MEASURES SHALL BE IN PLACE.
4. TEMPORARY INSTALLATION OF STABILIZED CONSTRUCTION ENTRANCE PADS AT ALL LOCATION WHERE CONSTRUCTION VEHICLES WILL ENTER ONTO PUBLIC STREETS. ALL PUBLIC STREETS TO BE INSPECTED AND MAINTAINED CLEAR OF SOIL ACCUMULATION.
5. EXCAVATION WORK CARRIED OUT DURING PERIODS OF INCLEMENT WEATHER SHALL REQUIRE ADDITIONAL EROSION CONTROL MEASURES AS MAY BE NECESSARY BASED ON CONDITIONS.
6. ADDITIONAL EROSION CONTROL METHODS INCLUDING SOIL STABILIZATION MATS, PLACEMENT OF STONE, PLACEMENT OF SOIL MAY BE REQUIRED DUE TO CLIMATIC CONDITIONS (EXCESS RAIN, ETC.)
7. STABILIZATION OF DISTURBANCE AREAS TO BE PAVED BY COMPACTION AND APPLICATION OF SUBBASE WITHIN ONE MONTH AFTER UTILITIES ARE INSTALLED.
8. VEGETATIVE STABILIZATION OF DISTURBED AREAS TO BE SEEDED INCLUDING R.O.W. AND EASEMENTS WITHIN TWO WEEKS OF FINAL GRADING.
9. PLANS SHOW TEMPORARY SOIL EROSION AND STABILIZATION MEASURES WHICH SHALL BE MAINTAINED UNTIL ALL AREAS ARE STABILIZED.
10. THE CONTRACTOR SHALL BE RESPONSIBLE TO SEED AND MULCH (OR HYDROSEED) AND TO PROVIDE AN ADEQUATE WATER SOURCE AND HOSES FOR GERMINATION OF THE SEED.
11. IF THE CONTRACTOR ELECTS NOT TO INSTALL IMPORTED TOPSOIL OR SPREAD TOPSOIL FROM THE SITE THE SEEDING MAY NOT ESTABLISH ITSELF OR MAY BE SUBJECT TO STRESS FAILURE. THE CONTRACTOR SHALL TAKE COMPLETE RESPONSIBILITY FOR ESTABLISHING THE LAWN BY PROPER WATER AND FERTILIZING.

OWNER/APPLICANT:
 RICK RAMSEY
 RJR UNITS LLC
 4773 WESTERN TURNPIKE
 GUILDERLAND, NY 12009

4773 WESTERN TURNPIKE
 TAX MAP # 26.00-3-36.1
 AREA = 9.95± ACRES

NO.	REVISION	DATE
1.	TOWN COMMENTS	7.28.20
2.	TOWN COMMENTS/ADD BUILDING	11.5.20
3.	BUILDING CHANGES	11.16.20



EXISTING CONDITIONS
 DEMOLITION, EROSION & SEDIMENT CONTROL PLAN

A-METRO
SELF STORAGE
 4773 WESTERN TURNPIKE

TOWN OF GUILDERLAND COUNTY OF ALBANY

STATE OF NEW YORK

ABD ENGINEERS, LLP
 411 Union Street
 Schenectady, NY 12305
 518-377-0315 Fax 518-377-0379
 www.abdeng.com

DATE: MAY 26, 2020 SCALE: 1" = 50' DWG. 4281B-S8 SHEET 2 OF 2